



Type AMI 501/502

Pulses

Each pulse possible

AMI 501 up to 2.000, AMI 502 up to 2.500

Mechanical Data

Hollow shaft

Ø 3 ... 6 mm, stainless steel

Shaft load

axial 10 N, radial 20 N

Rotating speed

max. 10.000 rpm

Working temperature

0° C ... +80° C

Vibration

10 g (20 ... 2.000 Hz)

Shock

100 g (11 ms)

Ingress protection

IP 64 on shaft

2014/30/EU EMV-rules

DIN EN 61000-6-2, DIN EN 61000-6-3

Electrical Data

Signals

square wave

Light source

LED

Operating voltage

5 Volt \pm 5 %, 10 ... 30 Volt, 5 ... 30 Volt

Current consumption

max. 100 mA without load

Output frequency

300 kHz with square wave 5 Volt

300 kHz with square wave 10 ... 30 Volt

Output level

5 Volt Line-Driver

10 ... 30 Volt push-pull short-circuit proof

Current output

20 mA

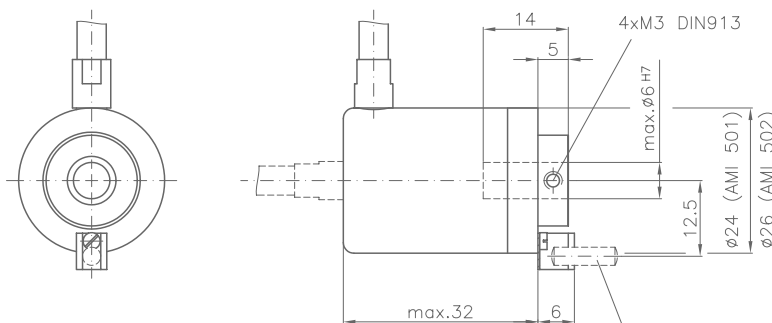
Output signals

2 channels A and B phase-shifted 90° electrically

zero-pulse 1 pulse per revolution

length 90°, 180° or 360° electrically

all signals with inversion



cylinder pin 3m6x10 included to avoid torque